

Datasheet for FUV8KW Series of FIVER



1. FUV8KW Specification:

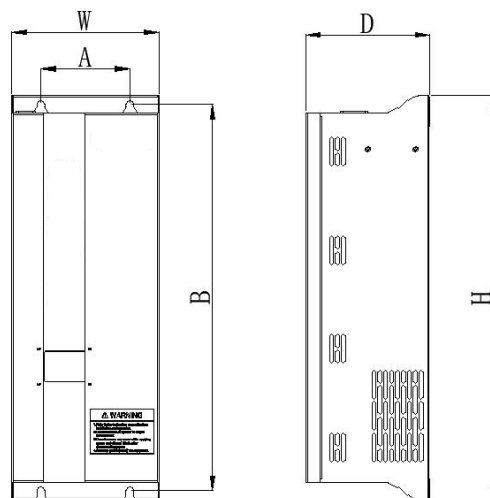
Model	Lamp power (KW)	Input voltage (V)	Input current (A)	Output voltage (V)	Max output current (A)	Recommend lamp voltage (V)
220V/1KW	1.0	220V AC	4.6/2.6	100-230	15	160
220V/2KW	2.0	220V AC	9.1/5.2	100-230	20	200
220V/3KW	3.0	220V AC	13.6/7.9	150-230	20	200
220V/4KW	4.0	220V AC	18.2/10.5	160-230	25	220
220V/5KW	5.0	220V AC	22.7/13.1	180-230	28	220
380V/3KW	3.0	380V AC	4.6	200-450	15	300
380V/4KW	4.0	380V AC	6.1	200-450	15	400
380V/5KW	5.0	380V AC	7.6	300-450	15	400
380V/6KW	6.0	380V AC	9.1	300-450	22	400
380V/7KW	7.0	380V AC	10.6	350-450	22	400
380V/8KW	8.0	380V AC	12.2	350-450	22	400

Note: If you can't find the model you need, please contact our sales for customize service.

2. Basic Specification

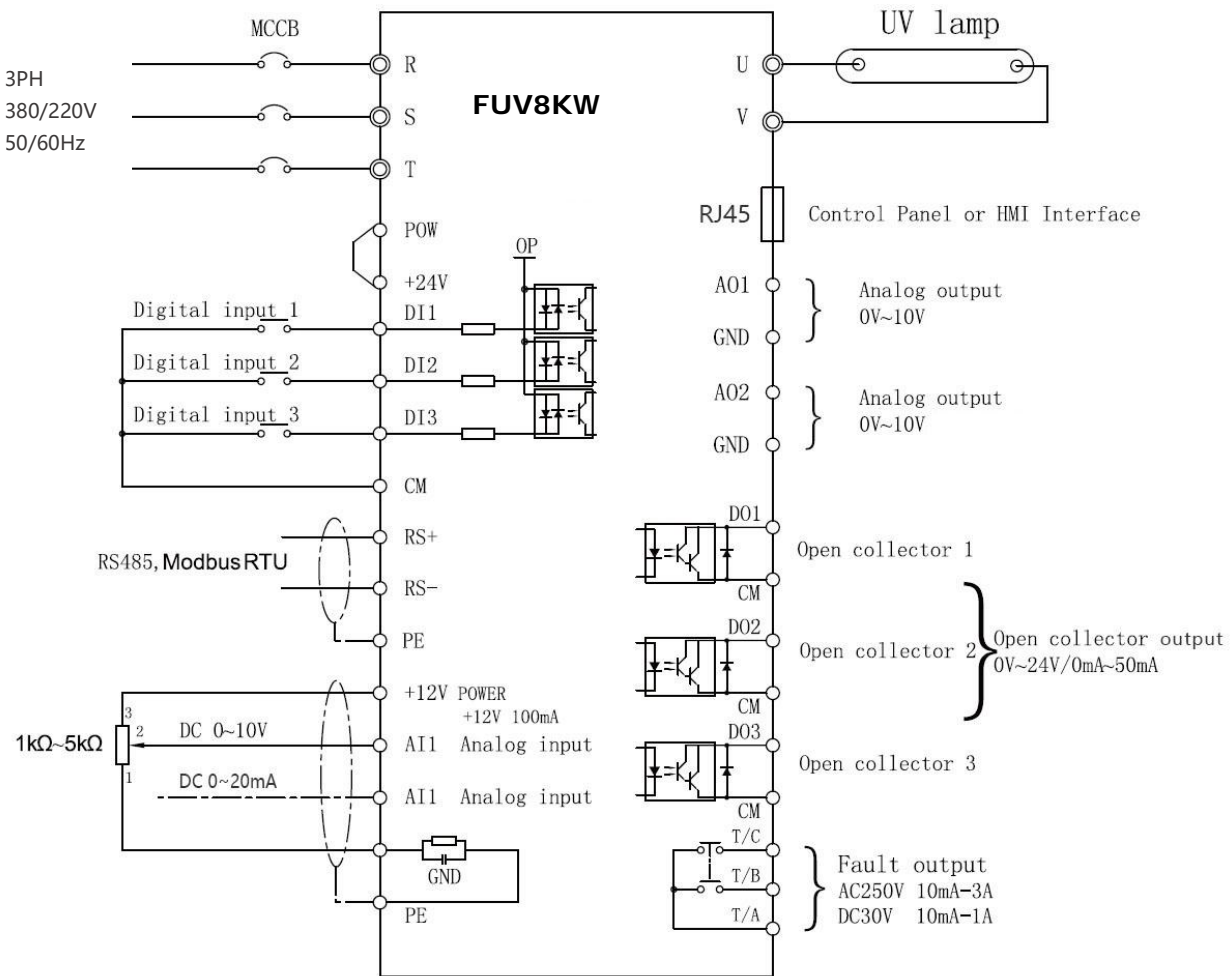
Input	Nominal voltage, frequency	220V or 380V 50/60Hz
	Voltage range	-10%—+15%
	Digital input DI	Standard configuration 3 digital input DI1/DI2/DI3
	Analog input AI	Standard: 0~10V voltage input(AI) or 0~20mA current input(AI)
Output	Output voltage	450V MAX
	Output frequency	1KHz-15KHz
	Digital output DO	Standard configuration 3 digital output DO1/DO2/DO3
	Analog output AO	2 channels, 0.0~10.0V voltage output signal
	Relay contact output	One group N.O/N.C contact (AC 250V/2A)
Protect/alarm function		Input phase loss, input under-voltage, input over-voltage, output over-current, output short circuit, EPS overheat, internal storage damage, output disconnection, temperature detection, etc.
Ambient temperature, humidity		-10°C to +45°C (no freezing) , below 90% (no frost)
Structure	Cooling method	Forced air cooling
	Protection Level	IP20

3. Installation Dimension



Power (kw)	Mounting hole (mm)		Dimension (mm)			Mounting aperture (mm)	Screw	Install method	N.W (KG)	G.W (KG)	Carton size (mm)
	A	B	H	W	D						
1-3 220V	90	392	410	150	126	Φ10	M8	Wall mounted	5.7	6.8	540*240*195
3-5 380V											
4-5 220V	100	418	440	170	139	Φ10	M8	Wall mounted	7.5	8.8	570*240*210
6-8 380V											

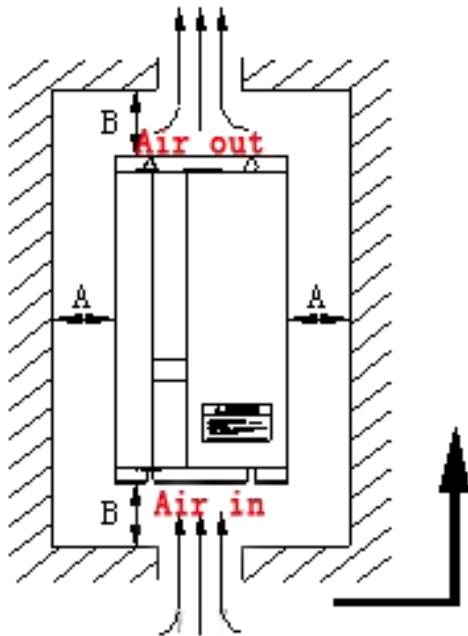
4. UV power supply control loop wiring diagram



Note: "◎" Main circuit terminals, "○" Control circuit terminals

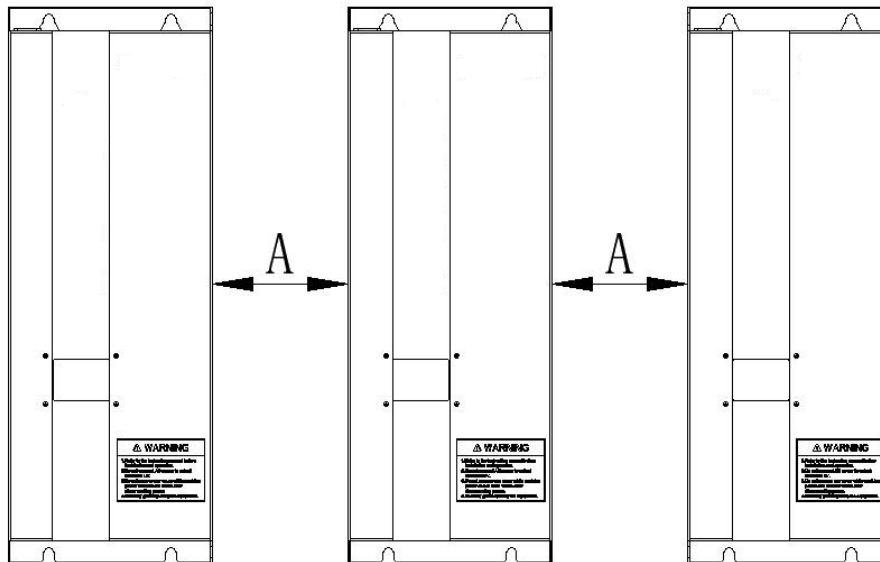
5. Installation requirements

- The installation space of UV electronic power supply requires as below:

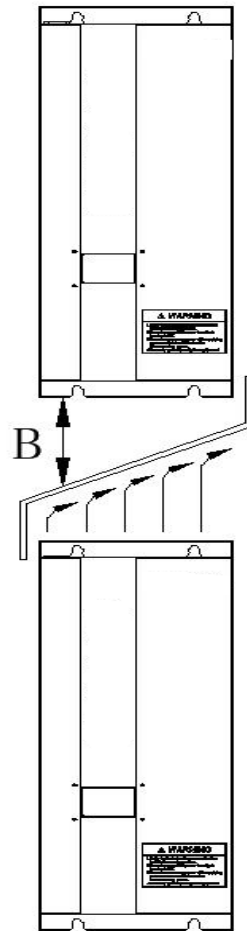


Power level	Size	
1.0KW-3.0KW 220V	A≥20mm	B≥100mm
3.0KW-5.0KW 380V		
4.0KW-5.0KW 220V	A≥50mm	B≥200mm
6.0KW-8.0KW 380V		

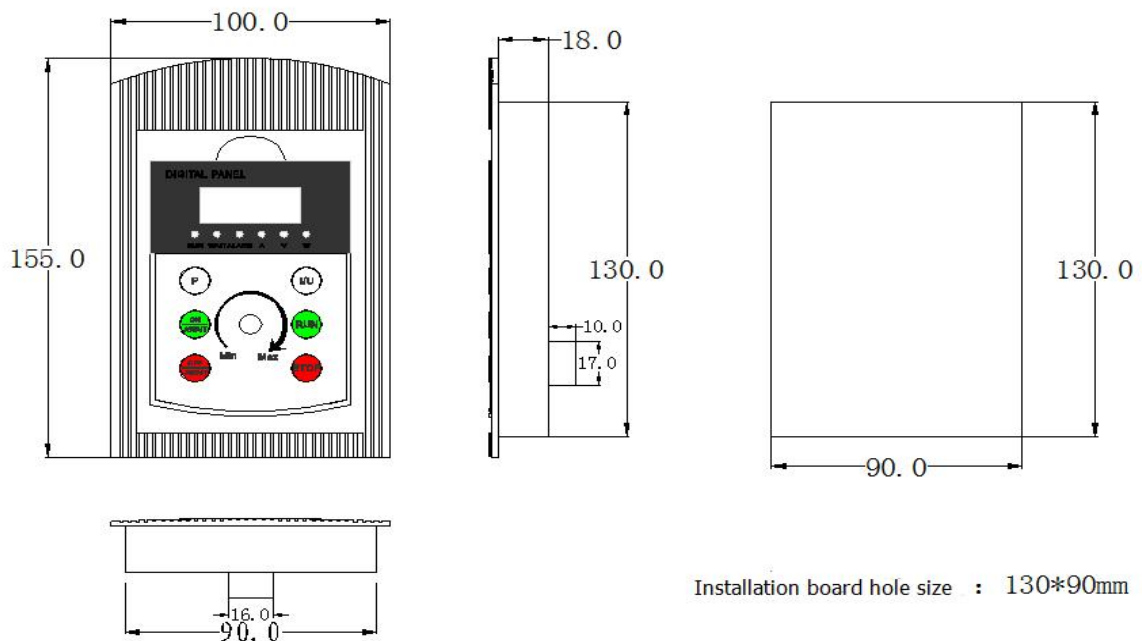
- The heat of EPS dissipates from the bottom part to the top. For more than 1 pcs EPS installation, Please have them installed side by side horizontally.



- Considering the heat dissipation performance, a mental plate is required to be installed as below If vertically installation is unavoidable:



6.Operation panel (optional)



Installation board hole size : 130*90mm